

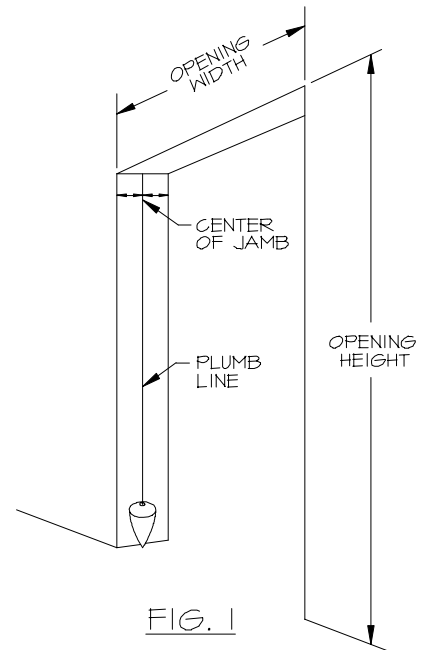
Series 1000 · Solid Wood Core Door

INSTALLATION INSTRUCTIONS

READ ALL INSTRUCTIONS BEFORE INSTALLING DOOR. SUPER SEAL MFG. LTD. WILL NOT BE HELD RESPONSIBLE FOR IMPROPER INSTALLATION OF ANCHORING DEVICES, OR FOR INSTALLATION INTO AGED OR UNSOUND CONCRETE, CONCRETE BLOCK, OR OTHER WALL OR FLOOR MATERIAL WHICH MAY RESULT IN PREMATURE PRODUCT WEAR, PRODUCT FAILURE, PROPERTY DAMAGE, OR PERSONAL INJURY.

1. Check Order

- Measure door opening height and width.** Compare to Purchase Order.
- Check Components List and Hardware Supplied List.** Make sure all components and hardware are present. Super Seal supplies self-drilling screws for door installation on steel jambs. For jambs other than steel, the owner/contractor must supply suitable fasteners.
- Check Recommended Tools List.** Make sure all recommended tools are available.
- Recommended Door Jamb:** Steel, 1/4" thick by 4" wide.



2. Prepare Door Frame

- Correct door opening height and width.**
 - **Measure left and right sides** of door opening from top to bottom. The height of the left and right sides of the opening should be the same.
 - **Measure the top and bottom** of door opening from side to side. The width of the top and bottom of the opening should be the same.
 - **Prepare shims** to correct any problems.
- Mark center of jamb.**
 - **Measure the jamb width** at the top of the door jamb (Figure 1).
 - **Mark the center point.**
 - **Drop a plumb line** from the center point to the floor and mark.

3. Attach Mounting Hardware to Door Frame

- Install top pin bracket assembly in line with the plumb line (Figure 2).
 - Drill and fasten to top and jamb of door frame with supplied hardware.

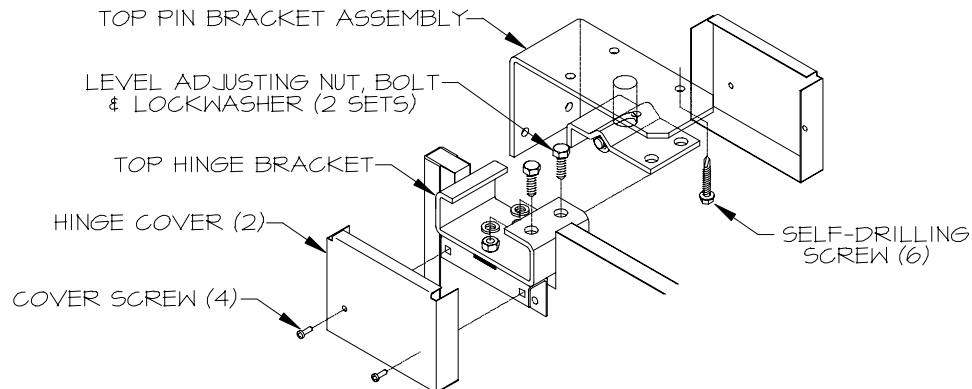
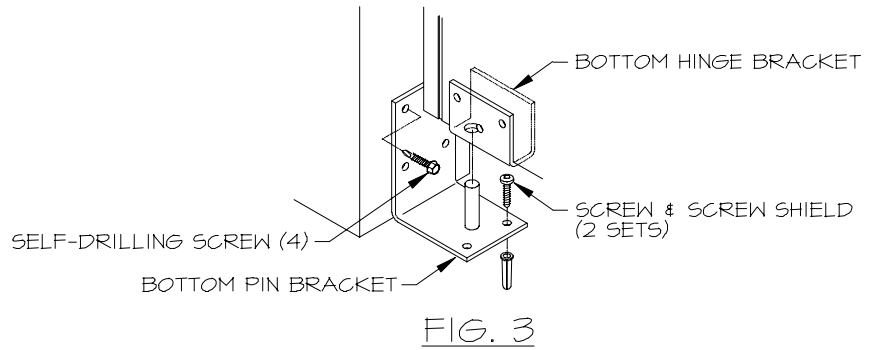


FIG. 2

3. Attach Mounting Hardware to Door Frame, continued

- b. **If there is no jamb guard**, line up bottom pin bracket along plumb line at bottom of jamb (Figure 3).
 - **Drill and fasten** to jamb with self-drilling screws and to floor with screws and plugs.
- c. **If there is a jamb guard**, line up jamb guard with the plumb line.
 - **Drill and fasten** jamb guard to floor with supplied anchor bolts (Figure 4).
 - **Install bottom pin bracket** along the plumb line at the top of the jamb guard.
 - **Drill and fasten** bottom pin bracket to jamb with self-drilling screws. Do not fasten the bottom pin bracket to the jamb guard.
- d. **For two-panel door**, repeat step for other panel.

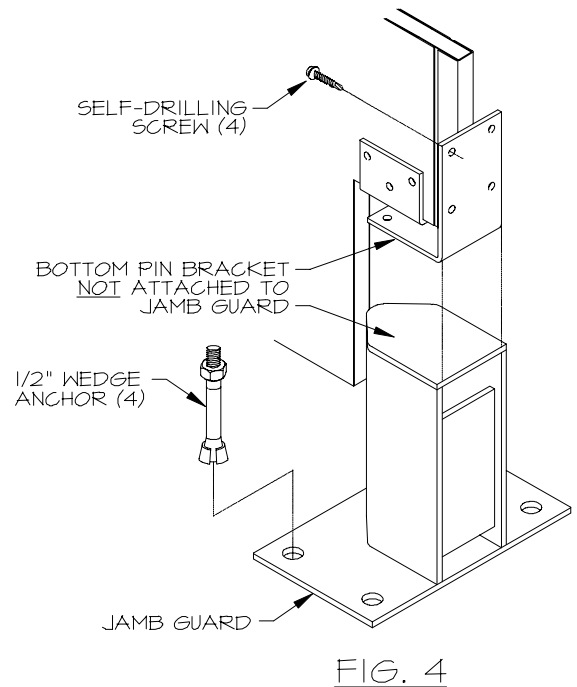


4. Attach Door Panel

- a. **Apply a small amount of grease** to hole in bottom hinge bracket.
- b. **Lift door panel into place.**
- c. **At the bottom of the panel**, place the bottom hinge bracket onto the bottom pin bracket so that the pin goes into the hole (Figure 3).
- d. **At the top of the panel** (Figure 2), slide the top hinge bracket over the top pin bracket assembly, matching the bolt holes.
 - **Fasten** with supplied nuts and bolts. Do not completely tighten nuts and bolts.
- e. **For two-panel door**, repeat step for other panel.

5. Make Final Door Adjustment

- a. **Align panel in door opening.**
 - Make sure **panel is level** along the top and side.
 - Make sure **panel is evenly spaced** between top and bottom of door opening.
- e. **Hold panel in line** with the top of the door opening. Fully tighten the nuts and bolts in the top pin bracket assembly.
- f. **Allow panel to swing fully in both directions.** If panel does not close in line, loosen the nuts and bolts in the top pin bracket assembly.
- g. **Repeat and tighten** until panel swings and hangs properly.
- e. **Apply a small amount of grease** to rollers in top pin assembly.
- f. **Fasten front and back cover plates** onto the top hinge bracket with cover plate screws (Figure 2).
- g. **For two-panel door**, repeat step for other panel.
- h. **Make sure front edge is level** when door is fully closed.



THE FOLLOWING LISTS COVER BASIC INSTALLATION, NOT INCLUDING OPTIONS

Components List (per Panel)

No.		Qty.
1	Door Panel (Assembled)	1

Hardware Supplied List (per Panel)

No.		Qty.
2	Top Hinge Pin Bracket Assembly	1
3	Bottom Pin Bracket	1
4	Hinge Covers	2
5	#6 x 3/4" Hinge Cover Screws	4
6	5/16" x 3/4" Hex Bolts	2
7	5/16" Hex Nuts	2
8	5/16" B.S. Lock Washers	2
9	#14 x 1-1/4" Wood Screws	2
10	Rawl Nylon Plugs	2
11	1/4" x 1-1/2" Self-Drilling Screws	10
12	Installation Instructions	1

Recommended Tools List

Qty.		Qty.	
1	Tape Measure	1	Hammer Drill
1	Plumb Line or Level	1	5/16" Masonry Drill Bit
1	Pencil or Marker	1	Hammer
1	Square	1	#2 Robertson Screwdriver
1	Power Drill	1	#1 Robertson Screwdriver
1	3/8" Hex Head Driver Bit	2	1/2" Wrench
1	7/32" HSS Drill Bit		General Purpose Grease BR2+